

# Long Stroke Type Manual Test Stand HV series

Ideal for measurement of larger or extensible samples due to the longer stroke  
 Allows stable measurement due to the handle operation





HV-500N II



HV-1000N




Feature 1	Feature 2	Feature 3
Fine Movement	Various testing applications	Various options available
Allows fine adjustment of a force gauge's position and stable testing by the handle operation.	<ul style="list-style-type: none"> <li>-Material strength tests (tensile, compress, shear strength, etc.)</li> <li>-Evaluation tests of mechanical and electronic parts (soldering strength of QFP, tensile strength of crimp terminal, etc.)</li> <li>-Peeling tests of adhesive part and heat seals</li> </ul>	Various options are available such as length scale and long stroke for a wide range of measurement needs.  *HV-3000N only have length scale option (-S).

Main options	
Long stroke (-L) *1	Length meter (-S)
This option provides extended stroke. Useful when testing stretching samples or testing for long distance.	Built in digital screen indicates travel distance of force gauge.
	

\*1 HV-3000N is not available.

Specifications			
Model	HV-500N II	HV-1000N	HV-3000N
Capacity	500N	1000N	3000N
Loading Method	Trapezoidal screw with 3mm lead	Ball screw with 4mm lead	
Travel Rate	2mm/1 turn	1.2mm/1 turn	0.6mm/1 turn
Max. Sample Height	Approx. 240mm	Approx. 375mm	Approx. 415mm
Table Material	Stainless Steel	Steel	Steel
Weight	Approx. 10kg	Approx. 18kg	Approx. 24kg
Dimensions	See [Dimensions]		
Accessories	Operation manual, tools		
	GF-1 (Grip mounting adapter)	GF-2 (Grip mounting adapter)	
Available Options	-L: Extended stroke by 200mm -S: Length scale	-L: Extended stroke by 150mm -S: Length scale	-S: Length scale

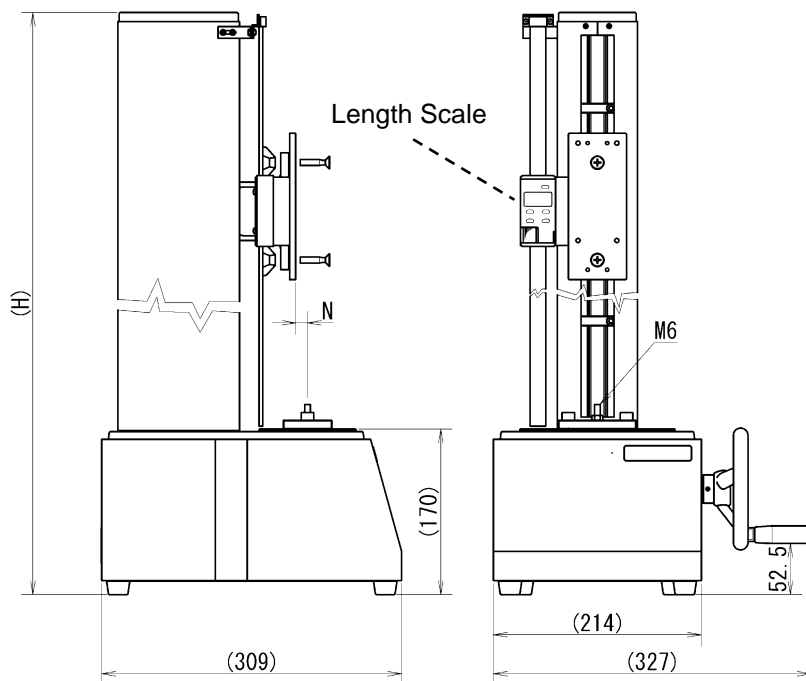
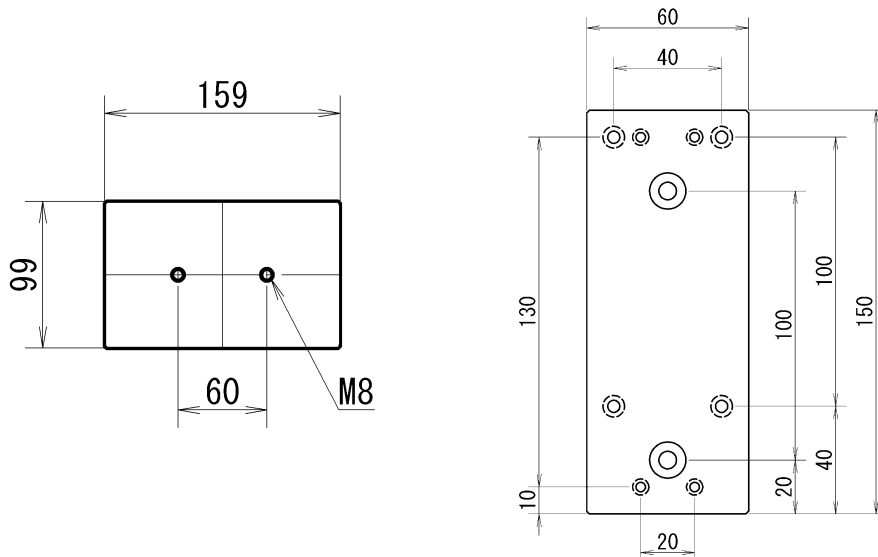
\* The Max. Sample Height refers to the distance between the test stand table and the tip of force gauge (1000N or less of ZT series) measuring shaft when the head is at the top.

Mountable Force Gauges for HV series		
DST/DSV series	ZTS/ZTA series	FB/PS/PSM series
Digital force gauge with excellent cost performance capable to manage data with PC.	Digital force gauge with high precision, featuring high sampling rate and a variety of useful functions.	Mechanical force gauge for easy handling.
		

**[Dimensions]**

HV-500N II

Mounting Plate for Force Gauge

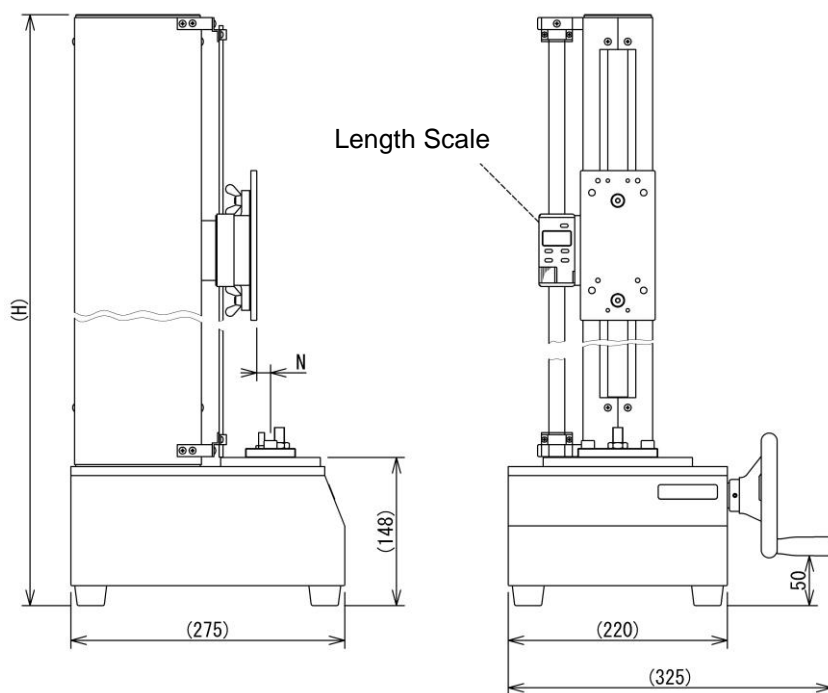
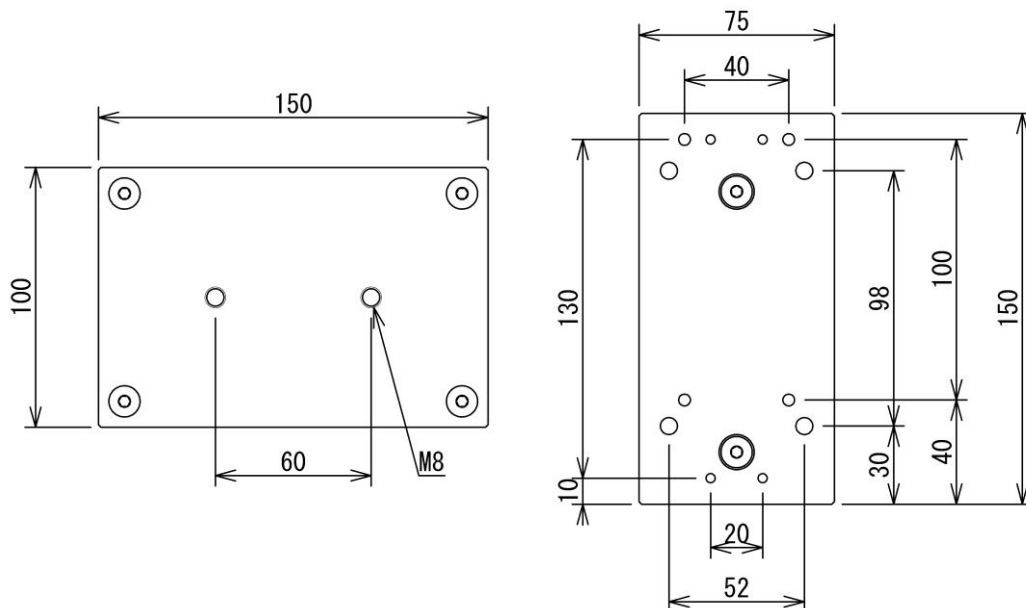


	H	N
HV-500N II	597.5	13.5
HV-500N II -L	797.5	
HV-500N II -S	597.5	12.3
HV-500N II -S-L	797.5	

Unit: mm

HV-1000N

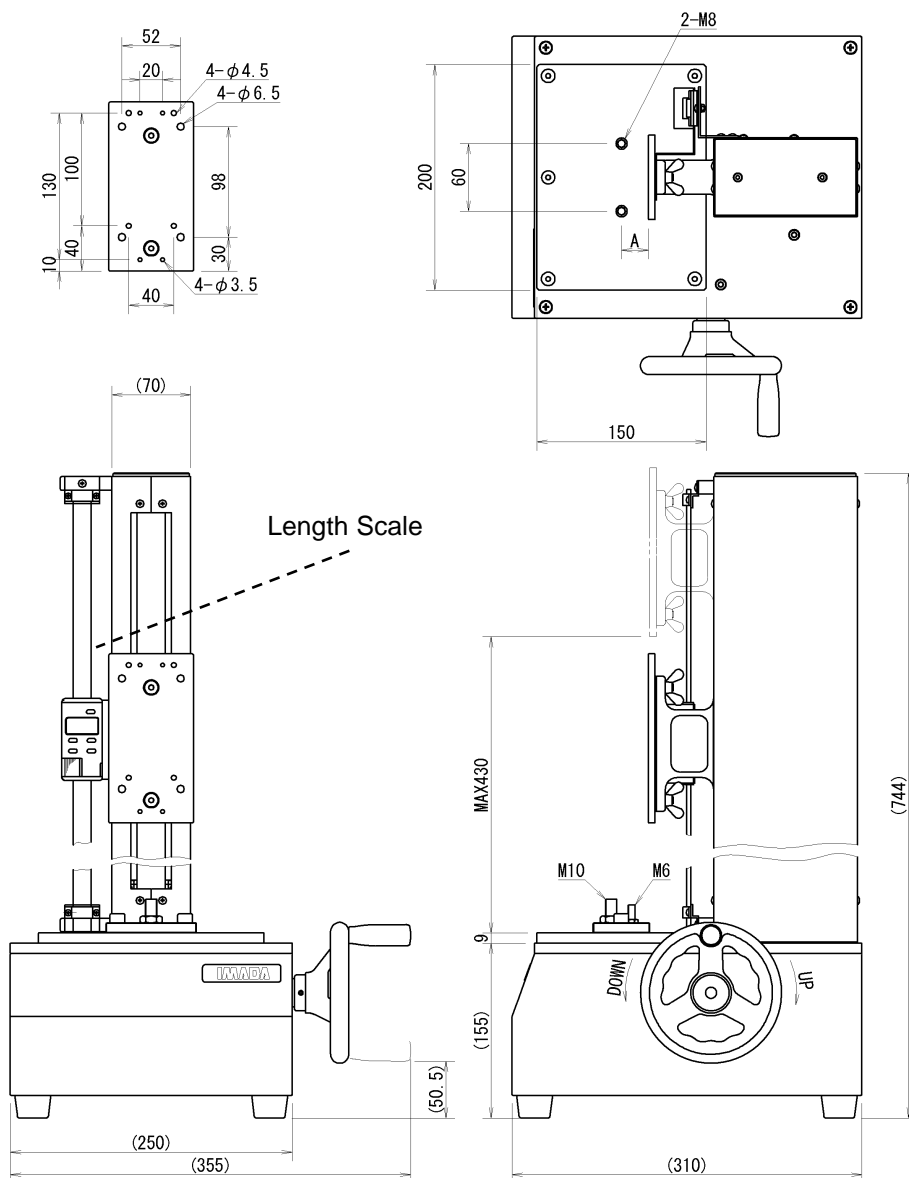
Mounting Plate for Force Gauge



	H	N
HV-1000N	730	15
HV-1000N-L	880	
HV-1000N-S	730	13.8
HV-1000N-S-L	880	

Unit: mm

**HV-3000N**



	A
HV-3000N	25
HV-3000N-S	23.8

Unit: mm

**[Cautions]**

- Information in this document is subject to change without prior notice.
- This document is product descriptions and handling precautions, and do not guarantee various characteristics or safety.
- This product is designed for force measurement purpose only.
- Do not copy and use this content without authorization.
- A force gauge (sold separately) is required to use this product.
- Do not use this product in the environments including fierce temperature changes, high temperature, high humidity, near water, dusty place

**IMADA CO., LTD**

99 Jinnoshinden-cho aza Kanowari Toyohashi  
Japan 441-8077  
Tel: +81-(0)532-33-3288  
Fax: +81-(0)532-33-3866  
E-mail: [info@forcegauge.net](mailto:info@forcegauge.net)  
Website: <http://www.forcegauge.net/en/>



Visit our website for more information on wide product specifications, measurement applications and videos.