

# High Capacity Model Mechanical Force Gauge PSH series

Enables to test up to 3000N.

Suitable for high capacity compress and tension strength test.

Enables to measure peak value due to switchable peak hold function.

Capable to delete the attachment's weight by rotating the tare ring.

Rugged design and no need for electricity.



PSH-1000N



PSH standard set

### Examples of usage

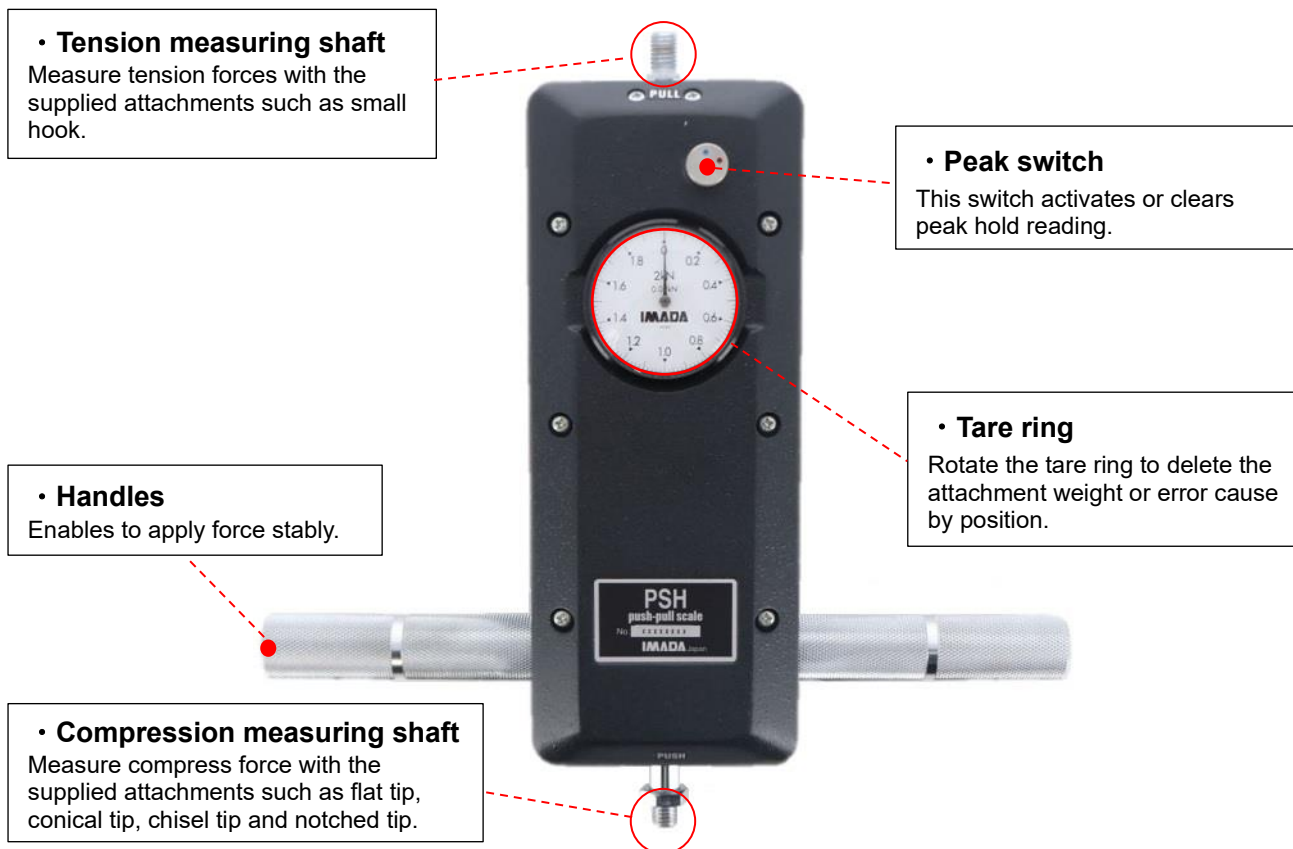
Fix with supplied handles for stable measurement.



Combine with manual test stand for high repeatable measurement.



**[Main Functions]**











Specifications		
Model	PSH	PSH (International model) *1
Stroke	10mm	
Measuring units	See [Model lists]	
Reading method	Real time/Peak hold (switchable)	
Scales *2	100 lines	
Accuracy	±0.1%F. S or less	
Operating environment	0~+40°C	
Dimension	See [Dimension]	
Weight *3	Approx. 3.1kg	
Standard accessories	6 pcs of attachments, Handles*2, Instruction manual, Mounting bolts *4, Carry case, Inspection certificate etc.	

\* It is not suitable for breaking test with large impact or test with continues vibration due to its spring structures.

\*1 International models are not able to sell in Japan due to the Measurement Act.

\*2 120 lines for 3000N, 300K, 300lb.

\*3 The weight is depending on the range.

8 standard attachments			
Small hook B-1	Flat tip B-2	Conical tip B-3	Chisel tip B-4
			
Notched tip B-5	Extension shaft B-6	Handles B-7	Mounting Bolts B-8
			

Model lists (N unit)				
Model	Capacity	Resolution	Thread	Standard attachments
PSH-500N	500N	5N	M10	B-1~B-8
PSH-1000N	1000N	10N		
PSH-2000N	2000N	20N		
PSH-3000N	3000N	25N		

International model (kgf unit) *				
Model	Capacity	Resolution	Thread	Standard attachments
PSH-50K	50kgf	0.5kgf	M10	B-1~B-8
PSH-100K	100kgf	1kgf		
PSH-200K	200kgf	2kgf		
PSH-300K	300kgf	2.5kgf		

\* International models are not able to sell in Japan due to the Measurement Act.

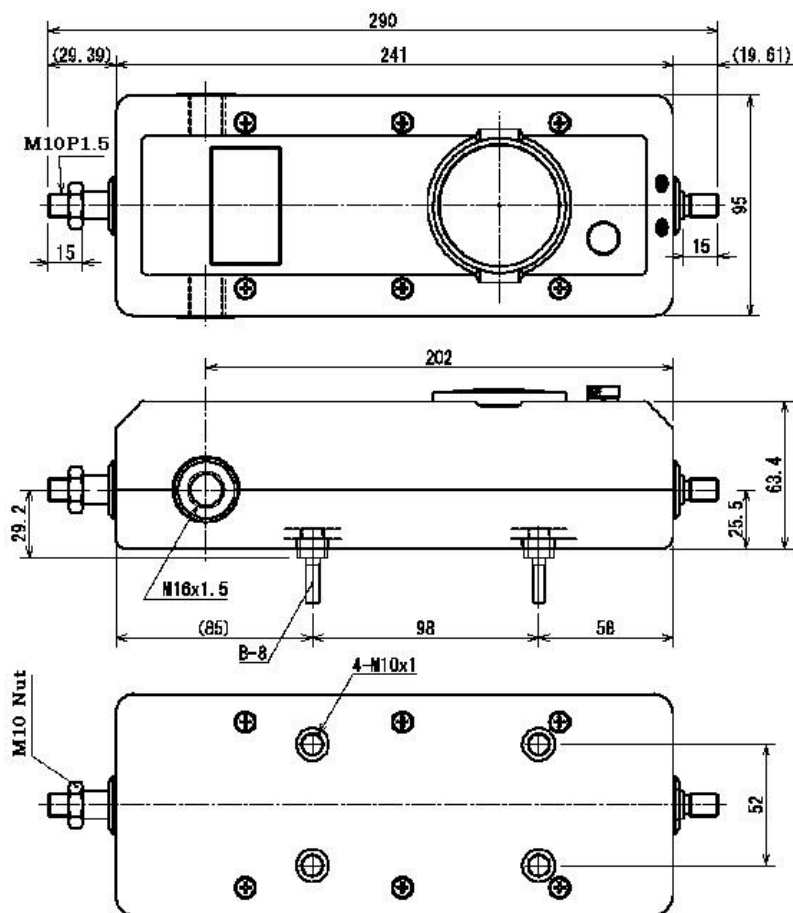
International model (lbf unit) *				
Model	Capacity	Resolution	Thread	Standard attachments
PSH-200lb	200lbf	2lbf	M10	B-1~B-8
PSH-300lb	300lbf	2.5lbf		
PSH-500lb	500lbf	5lbf		

\* International models are not able to sell in Japan due to the Measurement Act.

Related Products		
<p>Economical type Mechanical force gauge <b>FB/FS series</b></p>	<p>Precision type Mechanical force gauge <b>PSM series</b></p>	<p>Digital force gauge <b>ZTS/ZTA series</b></p>
		
<p>Price saving push pull gauges with high accuracy. Available in capacity from 10N to 500N.</p>	<p>Precision type of push pull gauges with high resolution scale. Ideal for precise measurement. Available in capacity from 20N to 500N.</p>	<p>Digital force gauge with high precision, featuring high sampling rate and a variety of useful functions.</p>
<p>High Capacity Digital force gauge <b>ZTS/ZTA series</b></p>	<p>Long Stroke Manual Test Stand <b>HV series</b></p>	<p>Horizontal Manual Test Stand <b>SH series</b></p>
		
<p>This digital force gauge can be used for high capacity force measurements. The capacity is from 2500N to 5000N.</p>	<p>This manual test stand has a long stroke. It enables to measure force for a large-size or stretching sample. The capacity is from 500N to 3000N.</p>	<p>This manual test stand is easy for sample sets with the horizontal design. The capacity is from 1000N up to 3000N.</p>

\* Refer to specifications of the individual product for details.

**[Dimension]**



Unit: mm

**[Calibration certificate & ISO 17025 calibration services]**

- As an option, we offer calibration certificates and traceability charts with extra charges. Moreover, we can offer calibration services according to ISO/IEC17025: 2005. Contact us for details.

**[Cautions]**

- Information in this document is subject to change without prior notice.
- This document is product descriptions and handling precautions, and do not guarantee various characteristics or safety.
- This product is designed for force measurement purpose only.
- Do not copy and use this content without authorization.
- Do not apply force more than its capacity or from incorrect direction to the measuring shaft.
- Do not use this product in the environments including fierce temperature changes, high temperature, high humidity, near water, dusty place.

**IMADA CO., LTD.**

99, Jinnoshinden-Cho, Aza, Kanowari, Toyohashi,  
Aichi 441-8077, JAPAN  
Tel: +81-(0)532-33-3288  
Fax: +81-(0)532-33-3866  
E-mail: [info@forcegauge.net](mailto:info@forcegauge.net)  
Website: <http://www.forcegauge.net/en/>



Visit our website for more information on a wide range of product specifications, measurement applications and videos.